

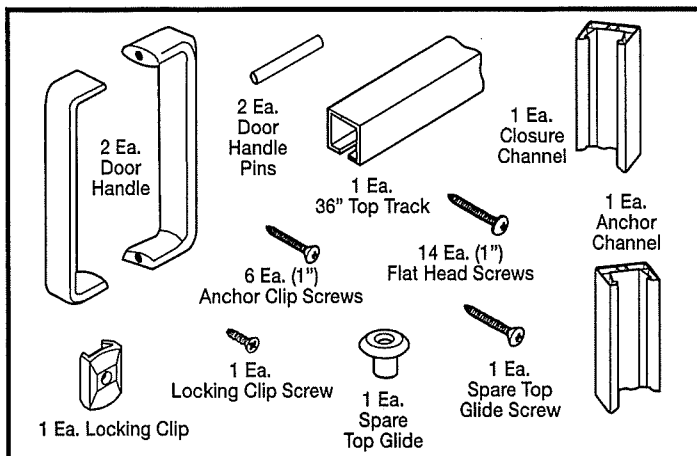
# Royale/Ellington Installation Instructions

For quick and easy installation of your folding door, read these instructions thoroughly.

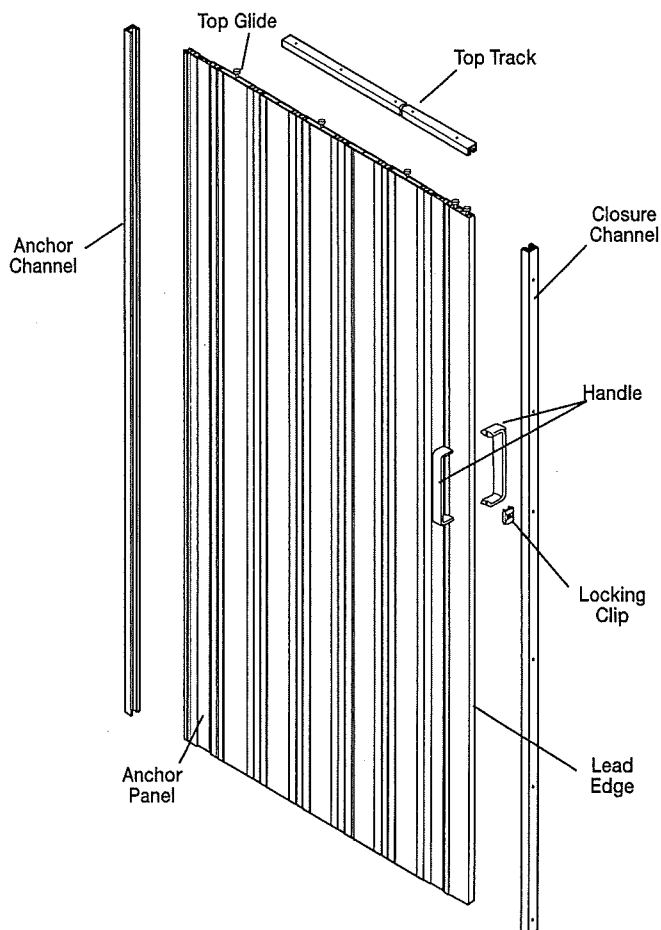
## The Tools You Will Need

You will need a Drill, Phillips screwdriver bit, 3/32" drill bit for pilot holes, small Phillips head screwdriver, tape measure, pencil, fine tooth hacksaw (for cutting the top track), safety glasses and fine sandpaper (can be used to smooth edges after cutting top track) and a level.

Make sure all of the following Parts are included before you begin:



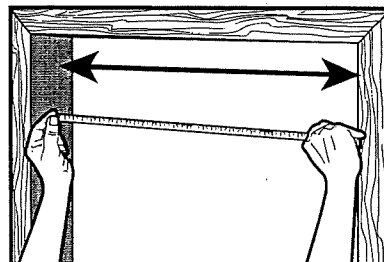
## Door Parts Location



## SINGLE DOOR INSTALLATION

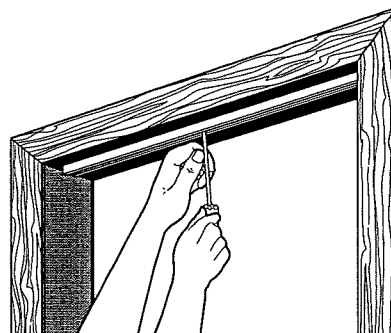
### 1. Measure the Door Opening

Measure the height and width of your finished opening. This door fits openings that are 24" to 36" wide and 80" high. The door height cannot be trimmed or altered.



### 2. Install the Top Track

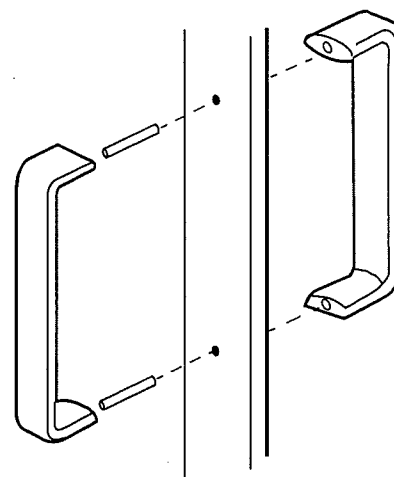
Cut the top track 1/8" shorter than the width of the finished opening. Position the top track in the top of the door opening so that it is straight and centered. After making a pilot-hole (with a 3/32" drill bit), insert a 1" track screw through the pre-drilled hole nearest the center of the track. Do not fully tighten. (Tape may be used to hold the track in place while you mark and drill.)



### 3. Attach the Handle

Tap the two handle attachment pins into one handle, then fit the pins through the door panel holes. Press the other handle onto the pins.

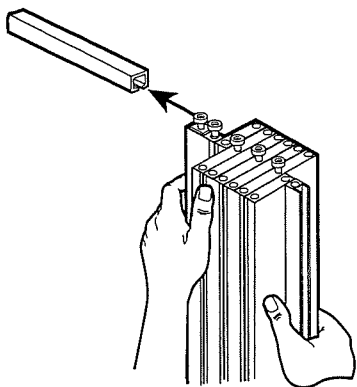
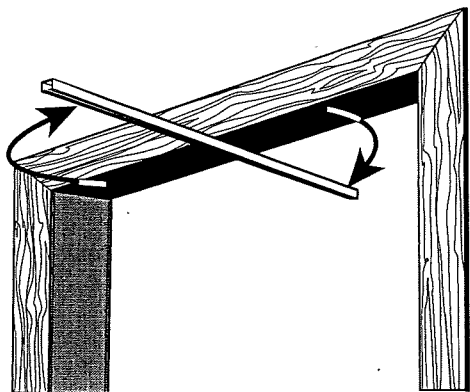
If necessary, you may back one handle with a solid object and tap the other handle alternately over each pin area until the handles are seated.



# Royale Installation Instructions

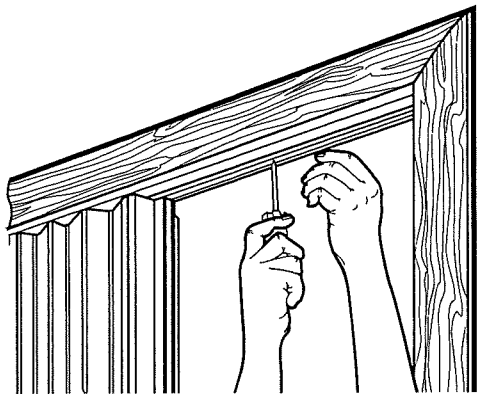
## 4. Hang Door onto Track

Swing one end of the top track outward. Decide if the door will open from the left or the right, then slide all of the top glides onto the track. Stack the panels together near the center screw. Swing the track back to its original position.



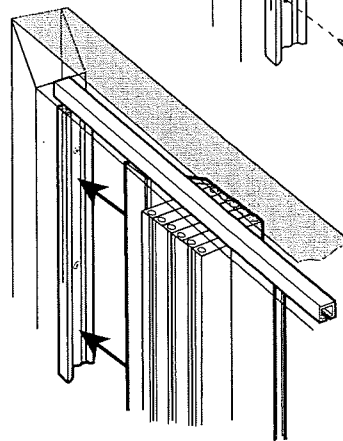
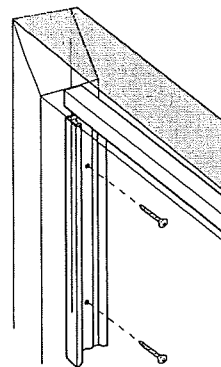
## 5. Secure the Top Track

Drill pilot holes through the remaining pre-drilled holes in the top track and secure the track with the Track screws provided. Set all screws as straight and tight as possible to ensure the smooth operation of the door.



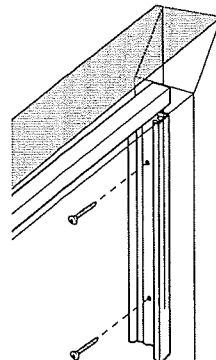
## 6. Install the Anchor Channel

Place the anchor channel on the non-opening side of the door jamb. Use a level to make sure the channel is plumb. Mark the pre-drilled holes in the channel. Remove the channel and drill pilot holes where you marked the jamb. Secure the anchor channel to the jamb using the 1" flathead screws provided. Snap the anchor panel into the channel.



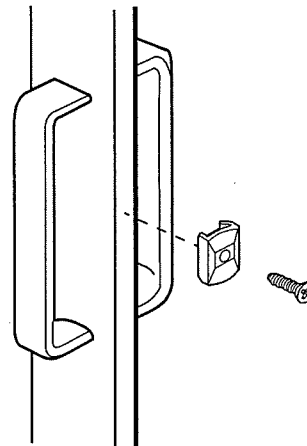
## 7. Install the Closure Channel

Place the closure channel on the opening side of the door jamb. Use a level to make sure the channel is plumb. Mark the pre-drilled holes in the channel. Remove the channel and drill pilot holes where you marked the jamb. Secure the closure channel to the jamb using the 1" flathead screws provided.



## 8. Attach Locking Clip

Align the locking clip with the pre-drilled hole located on the lead edge (between the door handles). Secure the locking clip with a 1" flathead screw.



# Royale Installation Instructions

## DOUBLE DOOR INSTALLATION

### 1. Measure the Door Opening

Divide the width of the opening by two. Cut each top track to this measurement so that when installed, the tracks butt against one another in the center of the door opening.

### 2. Install the Top Track

On a center line drawn across the top of the door opening, install either track and install all screws in this track. You will install the remaining track later.

### 3. Attach the Handles

Tap the two handle attachment pins into one handle, then fit the pins through the door panel holes. Press the other handle onto the pins. If necessary, you may back one handle with a solid object and tap the other handle alternately over each pin area until the handles are seated. Repeat with the handle for the other door.

### 4. Hang the Doors onto the Track

Slide both doors onto the installed track with the lead edges facing each other.

### 5. Install Remaining Top Track

Install the second track. Slide one of the doors onto this track. Set a track screw at the track center joint and leave the screw projecting down  $\frac{1}{2}$ " to prevent the glides from passing the joint.

### 6. Install the Anchor Channels

Place the anchor channel on one side of the door jamb. Use a level to make sure the channel is plumb. Mark the pre-drilled holes in the channel. Remove the channel and drill pilot holes where you marked the jamb. Secure the anchor channel to the jamb using the 1" flathead screws provided. Snap the anchor panel into the channel. Repeat these steps on the other side of the door jamb.

### 7. Install the Closure Channel

Align the closure channel on the lead edge of one of the doors so that it is flush with the top and bottom of the door. Mark the pre-drilled holes in the Closure channel. Set the closure channel aside and drill pilot holes where you marked the lead edge. Secure the closure channel to the lead edge with the 1" flathead screws.

### 8. Attach the Locking Clip

Align the locking clip with the pre-dilled hole located on the lead edge of the other door (between the door handles). Secure the locking clip with a 1" flathead screw.

